

# Service Manual

Cordless Drill &amp; Driver

**EY6101***Simplified*

Please file and use this manual together with the service manual for Model No. EY6100-EY6181, Order No. MEW/PTD 9403-6100.

## SPECIFICATIONS

### DRILL/DRIVER

Motor voltage	: 12V DC
No load speed	LOW : 50 ~ 350 min <sup>-1</sup> (RPM)
	HIGH : 180 ~ 1,300 min <sup>-1</sup> (RPM)
Chuck capacity	: 1.0 ~ 13.0 mm
Maximum torque	LOW : 199in.lbs (230kg-cm, 22.5Nm)
	HIGH : 52in.lbs (60kg-cm, 5.9Nm)
Maximum clutch torque	: 39in.lbs. (45kg-cm, 4.4Nm)
Overall length	: 229mm
Mass (Weight)	: 1.95kg

### BATTERY PACK

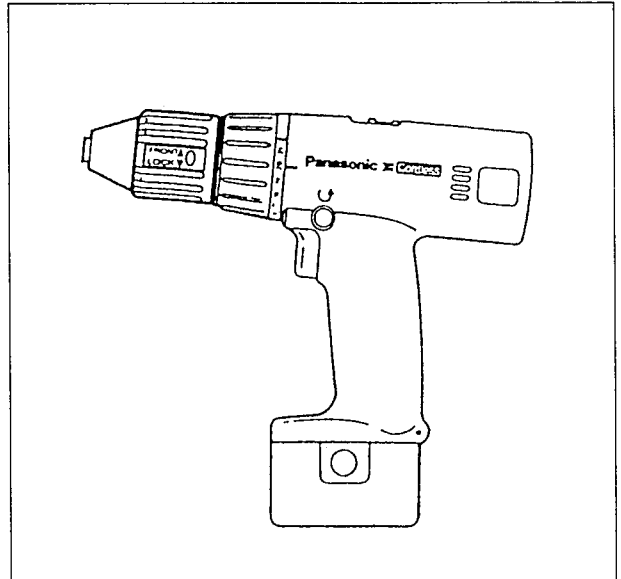
Storage battery	: Ni-Cd battery
Battery voltage	: 12V DC ( 1.2V × 10 cells)

### BATTERY CHARGER

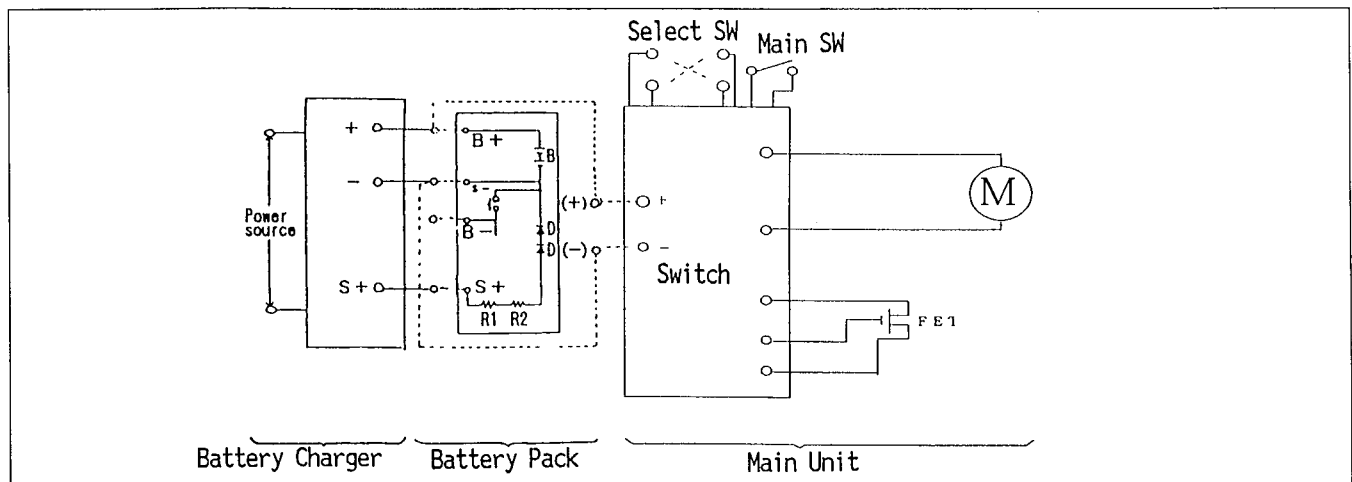
Input	: 120, 230, 240V AC	separately available
Mass (Weight)	: 0.66kg (1.45lbs.)	

### STANDARD EQUIPMENT

Battery charger , Battery pack



## SCHEMATIC DIAGRAM



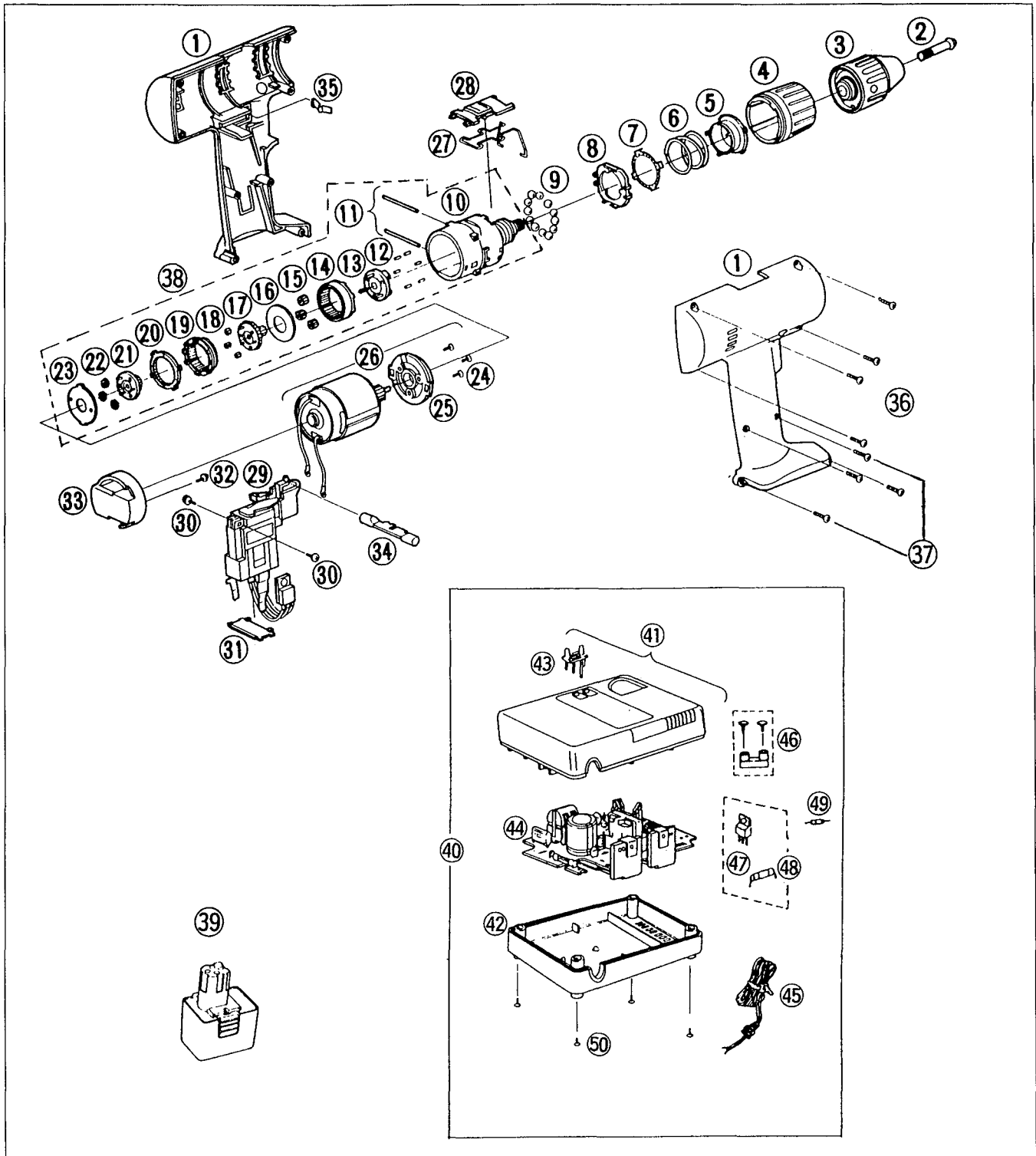
# Panasonic

© 1995 Matsushita Electric Works, Ltd.  
All rights reserved. Unauthorized copying and distribution is a violation of law.

**⚠ WARNING**

This service literature is designed for experienced repair technicians only and is not designed for use by the general public. It does not contain warnings or cautions to advise non-technical individuals of potential dangers in attempting to service a product. Products powered by electricity should be serviced or repaired only by experienced professional technicians. Any attempt to service or repair the product or products dealt with in this service information by anyone else could result in serious injury or death.

**EXPLODED VIEW**



<b>REPLACEMENT PARTS LIST</b>
-------------------------------

Note : \*A ... available as an optional accessory      \*E ... for U.K.  
 \*B ... only available as set                                \*F ... for Scandinavia  
 \*C ... available individually                               \*G ... for Australia  
 \*D ... for F.R. Germany                                      \*H ... for New Zealand

Ref No.	Parts No.	Parts Name & Descriptions	Per set	Remarks
	1 WEY6101K3078	HOUSING AB SET	1	
	2 WEY6207B6807	CHUCK FASTENING SCREW	1	
	3 WEY6207B7917	KEYLESS DRILL CHUCK	1	
▲	4 WEY6481H3227	CLUTCH HANDLE	1	
▲	5 WEY6481L0637	ADJUSTING SCREW	1	
▲	6 WEY6100L0168	SPRING FOR CLUTCH	1	
▲	7 WEY6481L0457	CLICK PLATE	1	
▲	8 WEYT184L0577	CLUTCH PLATE	1	
	9 WEY560B6967	STEEL BALL	12	*B*D-E-F-H
	9 WEZ560B6967	STEEL BALL	12	*B*G
▲	10 WEY6481L1067	DRIVING BLOCK	1	
▲	11 WEY6481L0357	THRUST PIN SET	2	*B
	12 WEY6283L0377	ROLLER PIN	6	*B
	13 WEY6207B1117	CARRIER	1	
	14 WEY560B1457	RING GEAR A	1	*D-E-F-H
	14 WEZ560B1457	RING GEAR A	1	*G
	15 WEY6207B1347	PLANET GEAR SET	3	*B
	16 WEY6200B0857	THRUST PLATE	1	
▲	17 WEY6401L1357	CARRIER	1	
	18 WEY6200B1357	PLANET GEAR A	3	*B
	19 WEY6101L1457	RING GEAR A	1	
▲	20 WEY6481L1467	RING GEAR B	1	
▲	21 WEY6401B1107	CARRIER A	1	
	22 WEY6200B1367	PLANET GEAR B	3	*B
▲	23 WEY6481L0887	THRUST PLATE	1	
	24 WEY6261B6027	SCREW FOR MOTOR	3	*C
	25 WEY6481L0027	MOTOR MOUNTING PLATE	1	
	26 WEY6101L1008	MOTOR	1	
	27 WEY6481L0187	CHANGE-GEAR SPRING	1	
	28 WEY6481H3237	CHANGE-GEAR HANDLE	1	
▲	29 WEY6100Y2008	SWITCH BLOCK	1	
	30 WEY6207Y6027	SCREW	2	*C
▲	31 WEY6481L0207	DUST PREVENTIVE PLATE	1	
	32 WEY6780L6027	TAPPING SCREW	1	
	33 WEY6101L2567	RADIATING PLATE (W/SCREW)	1	
▲	34 WEY6481H3247	SELECTOR HANDLE	1	
▲	35 WEY6481L0177	CLICK SPRING	1	
▲	36 WEY6100K9068	TAPPING SCREW	6	*C
	37 WEY6101K9618	TAPPING SCREW	2	*C
▲	38 WEY6100L1458	GEAR BOX BLOCK	1	

## REPLACEMENT PARTS LIST

Ref No.	Parts No.	Parts Name & Descriptions	Per set	Remarks
▲ 39	EY9101	BATTERY PACK	1	*A
40	EY0202	BATTERY CHARGER	1	*A
41	WEY0202B3098	HOUSING A FOR CHARGER	1	*F
41	WEY0202B3099	HOUSING A FOR CHARGER	1	*D
41	WEY0202B3101	HOUSING A FOR CHARGER	1	*E
41	WEY0202B3102	HOUSING A FOR CHARGER	1	*G·H
42	WEY0202B3029	HOUSING B FOR CHARGER	1	*E
42	WEY0202B3030	HOUSING B FOR CHARGER	1	*G
42	WEY0202B3031	HOUSING B FOR CHARGER	1	*H
42	WEY0202B3032	HOUSING B FOR CHARGER	1	*F
42	WEY0202B3033	HOUSING B FOR CHARGER	1	*D
43	WEY0200C0547	LAMP COVER	1	
44	WEY0202B2129	MODULE	1	*D
44	WEY0202B2131	MODULE	1	*E·F·G·H
45	WEY0001B2058	POWER CORD	1	*D
45	WEY0202B2060	POWER CORD	1	*G·H
45	WEY0202B2061	POWER CORD	1	*F
45	WEY0202B2063	POWER CORD	1	*E
46	WEY562B0218	CORD ANCHORE SET	1	*D·E·H
46	WEZ562B0218	CORD ANCHORE SET	1	*F·G
47	WEY0202B5259	FUSE	1	
48	WEY0202B5029	FUSE & FET SET	1	*D
48	WEY0202B5030	FUSE & FET SET	1	*E·F·G·H
49	WEY0202B5099	ZENER DIODE	1	
50	WEY0202B9038	TAPPING SCREW FOR CHARGER	4	*C
51	WEY9592B7018	TOOL CASE	1	
—	WEY6808K8238	SAFETY INSTRUCTIONS	1	
▲ —	WEY6101K8108	OPERATING INSTRUCTIONS	1	*D·E·G·H
▲ —	WEY6101K8109	OPERATING INSTRUCTIONS	1	*F