

# Service Manual

Cordless Drill &amp; Driver

**EY6230**

## SPECIFICATIONS

### DRILL/DRIVER

Motor voltage	: 15.6V DC
Capability	
(Screw driving)	: Machine screw           M3 ~ M6
	Wood screw $\phi 2.1 \sim 8\text{mm}$
	Self-drilling screw $\phi 3 \sim 6\text{mm}$
(Drilling)	: Wood $\phi 3 \sim 36\text{mm}$
	Steel $\phi 1.6 \sim 13\text{mm}$
No load speed	(LOW): 65 ~ 450 min (RPM)
	(HIGH): 200 ~ 1450 min (RPM)
Maximum torque	(LOW): 30.90Nm (315kg-cm, 273.0in.lbs.)
	(HIGH): 8.33Nm (85kg-cm, 73.3in.lbs.)
Maximum clutch torque	: 6.9Nm (70kg-cm, 60.8in.lbs.)
Overall length	: 237mm (7-13/32")
Weight	: 2.3kg (5.1lbs.)
	(with battery pack)

### BATTERY PACK

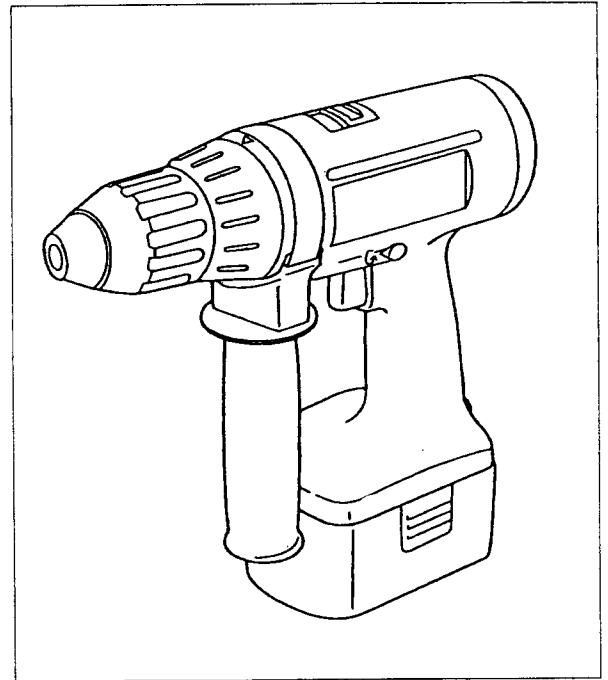
Storage battery	: Ni-Cd battery
Battery voltage	: 15.6V DC (1.2V $\times$ 13 cells)
Weight	: 1.0kg

### BATTERY CHARGER

Input	: 220-240V AC
Mass (Weight)	: 1.30kg (2.90lbs.)
Charging time	: Approx. 30 min. for EY9136

### STANDARD EQUIPMENT

Battery charger , Battery pack , Phillips bit #2 (75mm)



## CONTENTS

	Page	
• Specifications .....	1	
• Disassembly & Assembly Instructions .....	2 - 5	(German) 8 - 11
• Wiring Connection Diagram .....	6	
• Schematic Diagram .....	6	
• Troubleshooting .....	7	(German) 12
• Exploded View .....	13	
• Replacement Parts List .....	14	

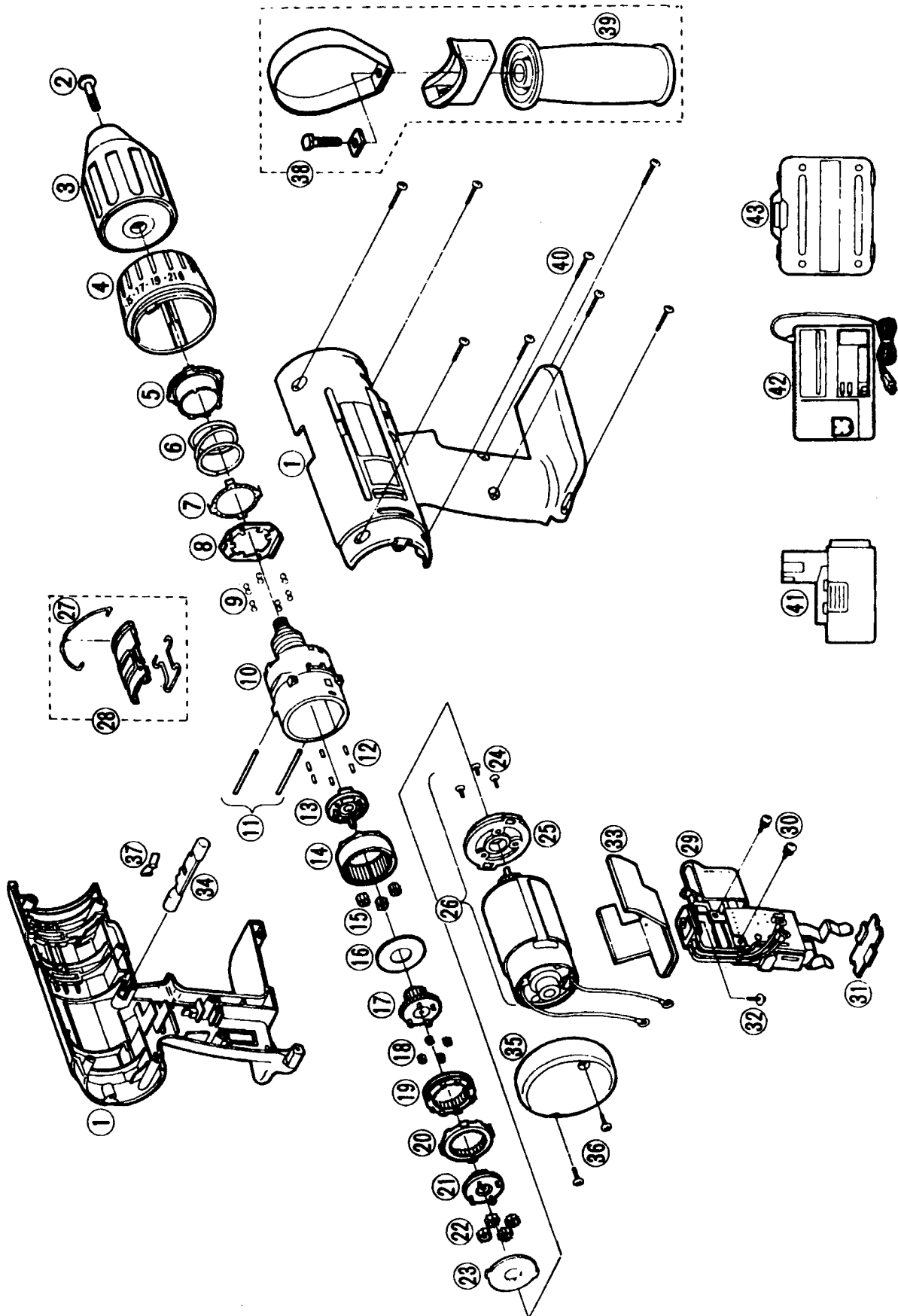
### ⚠ WARNING

This service literature is designed for experienced repair technicians only and is not designed for use by the general public. It does not contain warnings or cautions to advise non-technical individuals of potential dangers in attempting to service a product. Products powered by electricity should be serviced or repaired only by experienced professional technicians. Any attempt to service or repair the product or products dealt with in this service information by anyone else could result in serious injury or death.

# Panasonic

© 1998 Matsushita Electric Works, Ltd.  
All rights reserved. Unauthorized copying and distribution is a violation of law.

EXPLODED VIEW



## REPLACEMENT PARTS LIST

NOTE : \*A . . . available as an optional accessory  
 \*B . . . only available as set  
 \*C . . . available individually

Ref. No.	Part No.	Part Name & Descriptions	Per unit	Remarks
▲ 1	WEY6230K3079	HOUSING AB SET	1	OTHERS
▲ 1	WEY6230K3080	HOUSING AB SET	1	ONLY FOR AUSTRALIA
2	WEY6230L6817	CHUCK FASTENING SCREW	1	
▲ 3	EY6101K7918	KEYLESS CHUCK	1	*A
4	WEY6230H3227	CLUTCH HANDLE	1	
5	WEY6230L0637	ADJUSTING SCREW	1	
6	WEY6230L0167	SPRING FOR CLUTCH	1	
7	WEY6230L0457	CLICK PLATE	1	
8	WEY6230L0577	CLUTCH PLATE	1	
9	WEY560B6967	STEEL BALL	12	*B (12PCS/PACK)
10	WEY6230L1068	DRIVING BLOCK	1	
11	WEY6481L0357	THRUST PIN SET	2	*B (2PCS/PACK)
12	WEY6283L0377	ROLLER PIN	6	*B (6PCS/PACK)
13	WEY6207B1117	CARRIER	1	
14	WEY6230L1457	RING GEAR	1	
15	WEY6207B1347	PLANET GEAR	3	*B (3PCS/PACK)
16	WEY6230L0857	THRUST PLATE	1	
17	WEY6230L1417	CARRIER	1	
18	WEY6230L1357	PLANET GEAR	4	*B (4PCS/PACK)
19	WEY6230L1468	RING GEAR A	1	
20	WEY6230L1478	RING GEAR	1	
21	WEY6230L1107	CARRIER	1	
22	WEY6230L1367	PLANET GEAR B	4	*B (4PCS/PACK)
23	WEY6481L0887	THRUST PLATE	1	
24	WEY6230L6027	SCREW FOR MOTOR	3	*C K3-6
25	WEY6481L0027	MOTOR MOUNTING PLATE	1	
26	WEY6230L1008	MOTOR	1	
27	WEY6230L0187	CHANGE-GEAR SPRING	1	
28	WEY6230H3238	CHANGE-GEAR HANDLE	1	
▲ 29	WEY6230Y2008	SWITCH BLOCK	1	
30	WEY6230L6037	SEMS SCREW	2	*C K3-5
31	WEY6230L0207	DUST PREVENTIVE PLATE	1	
32	WEY6230L6017	TAPPING SCREW	1	2.6*8
33	WEY6230L2567	RADIATING PLATE (W/SCREW)	1	
34	WEY6901H3247	SELECTOR HANDLE	1	
35	WEY6230H3107	HOUSING COVER	1	
36	WEY6230K9038	SCREW	2	*C K3-10
37	WEY6481L0177	CLICK SPRING	1	
38	WEY6230K3217	AUXILIARY HANDLE ASSEMBLY	1	
39	WEY6230K3227	AUXILIARY HANDLE	1	
▲ 40	WEY6230K9218	SCREW	9	*C K3-20
41	EY9136	BATTERY PACK	1	*A
42	EY0212	BATTERY CHARGER	1	*A
▲ 43	WEY9630K7018	TOOL CASE	1	OTHERS
▲ 43	WEY9630K7019	TOOL CASE	1	ONLY FOR UK
▲ 43	WEY9630K7020	TOOL CASE	1	ONLY FOR AUSTRALIA
▲ -	WEY6230K8108	OPERATING INSTRUCTIONS	1	