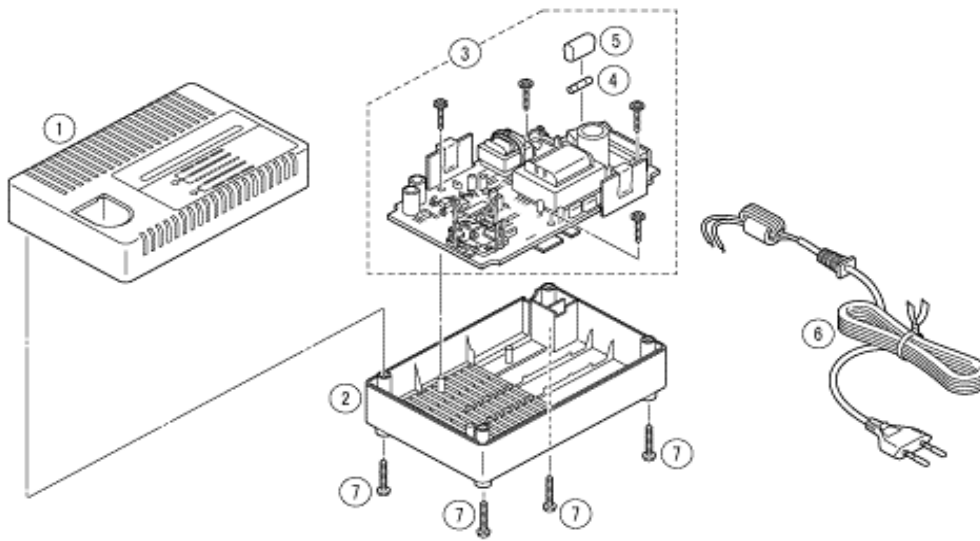


EY0110



Ref.No.	Part No.	Part Name & Description
1	WEY0110K3099	HOUSING A
2	WEY0110K3029	HOUSING B
3	WEY0110L2129	MODULE
4	WEY0230L5250	FUSE
5	WEY0102A3108	FUSE COVER
6	WEY0110K2059	POWER CORD
7	WEY0217K6237	TORX TAPPING SCREW